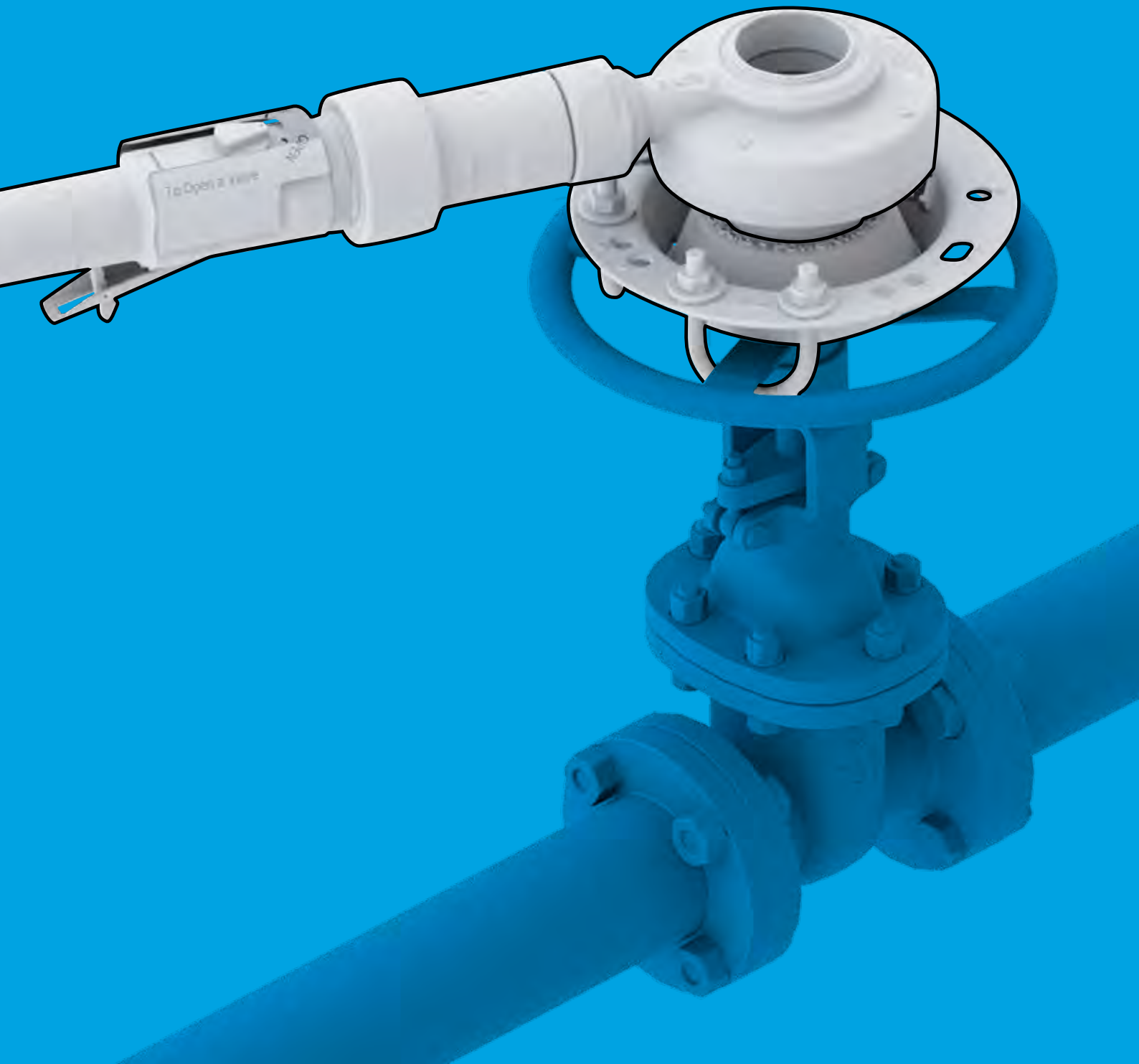




**sofis**

valve operation

## Power Wrench portable actuator



# Speed-up valve operation without hurting your back

The Power Wrench portable actuator reduces valve operating time by up to 80% and improves operator convenience when operating heavy manual valves.

It is connected to the valve by a universal drive plate that is easy to install within only minutes.



Just install the drive plate with u-bolts...



...connect the Power Wrench portable actuator to an air supply...



...and you are ready to go!

## Protect your back and reduce effort during heavy valve operation

With a Power Wrench portable actuator you make heavy valve operations easy. Operate manual valves that require many rotations or are heavy to operate within just minutes and without physical strain.

## Actuate any valve thanks to flexible mounting

You can use the Power Wrench portable actuator for any type of valve. Preparing the valve only takes

minutes. You quickly bolt a universal drive plate on to the hand wheel. Then connect the tool to your plant air system and you are ready for operation.

## Reduce downtime during maintenance

With the Power Wrench portable actuator you work more efficient during plant stops and incidental maintenance. Apply the flexible tool quickly anywhere in your plant to limit your time spent on incidental manual valve operations.



**Guus Knepper**  
Dayshift Operator hdPE, SABIC

*"The Power Wrench allows me to do my job faster and more easily – which is great because I'm not that young anymore."*

# Convenient and safe

The Power Wrench portable actuator is a completely portable solution. With its universal drive plates it can be mounted and remounted wherever required. There is no manufacturer installation necessary.

Operation of the Power Wrench portable actuator is perfectly safe. You are in complete control over the applied force and various safety measures protect you during operation.

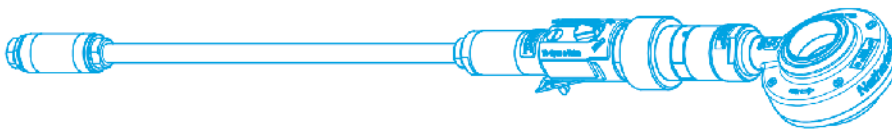
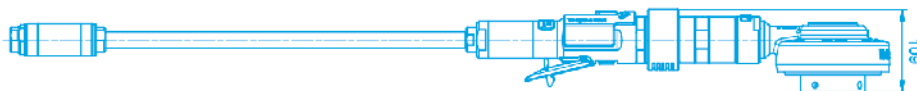
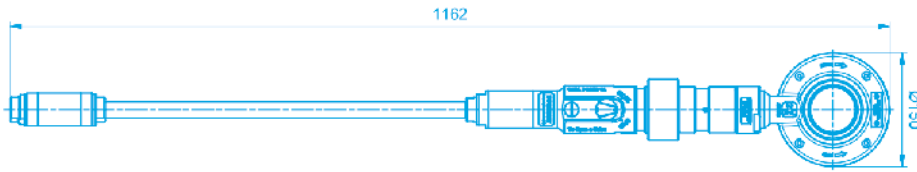
- The throttle allows for a controlled build-up of torque and speed.
- The safety lever and throttle valve enforce '2-hands operation'.
- The Power Wrench is ATEX certified for use in explosive areas.



**John Habets**  
Senior Dayshift Operator hdPE, SABIC

*"Previously, our valves were being opened and closed manually by our operators. This resulted in injuries such as stiff, sore and strained backs, shoulders and arms. Using the Power Wrench, these injuries are now no longer an issue."*

# Specifications



## Technical specifications

Tool weight	Air need	Speed	Safe operating pressure	Recommended pressure	Max torque
9,7 kg	1019 l/min	65 rev/min	4-8 bar	6.5 bar	515 Nm
21,4 lbs	36 cfm		60-120 psi	90 psi	380 ft lbf

## Certificates

### ATEX

The Power Wrench portable actuator is Ex-certified, approved for use in Zone 1 classified areas.



II 2G c IIC T6

### HVAS

Power Wrench is convenient to work with. The vibration level of the tool falls in the lowest category, meaning that an operator could work with the tool for a full day.

## Power Wrench package deals

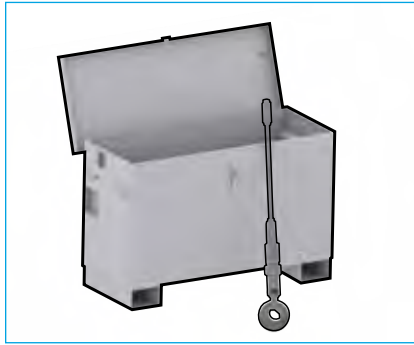
	Starter package	Professional package I	Professional package II
<b>Package number</b>	<b>P5600</b>	<b>P5610</b>	<b>P5620</b>
Power Wrench	1	1	2
Drive Plates	10	10	30
Protection Skid	1	-	2
Storage Box	-	1	-

# Accessories



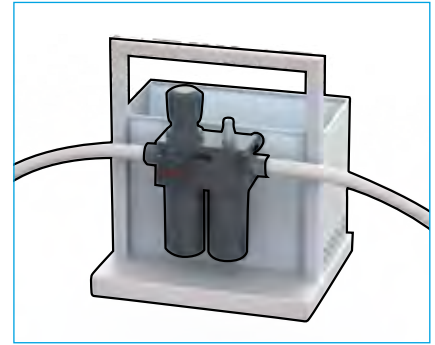
## Drive plates

Drive plates are universal mounting plates that are quickly mounted to the valve handwheel. There are drive plate models for any handwheel size and shape.



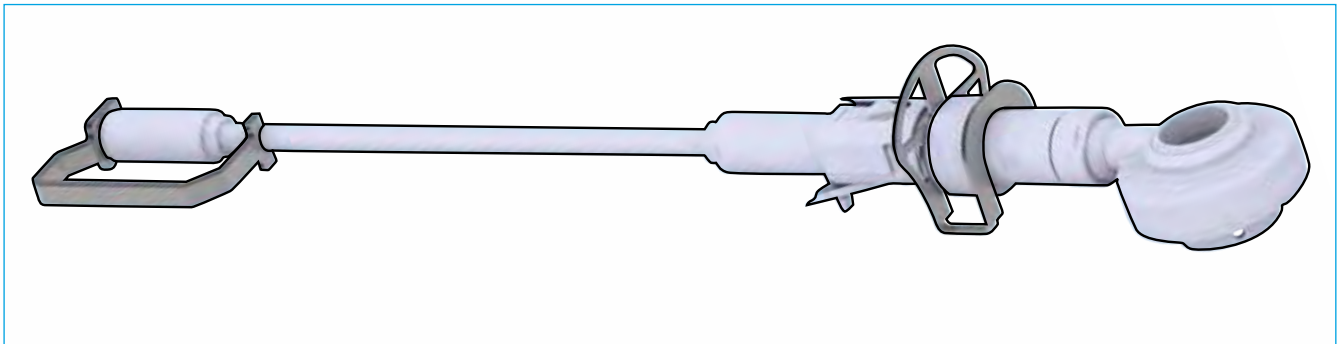
## Storage box

Store your Power Wrench safely and conveniently in the storage box. This aluminium storage box contains the tool, a 25 meter air hose and a protection skid.



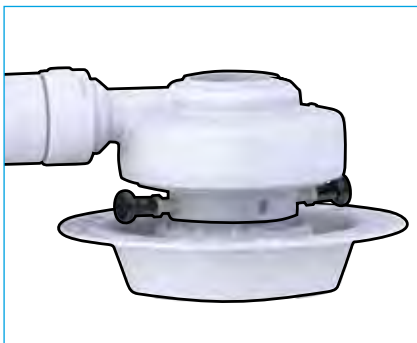
## Protection skid

The protection skid is highly recommended to extend the life time of a Power Wrench. It reduces tool wear by filtering the air and offering instant lubrication. It regulates the air pressure to optimize air consumption.



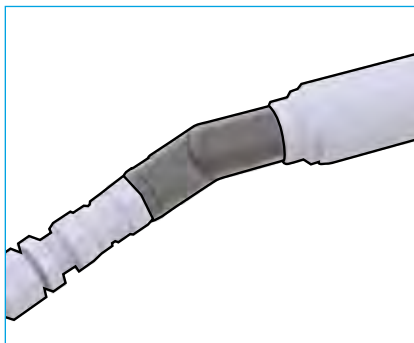
## Hand guards

Hand guards protect the operator's hands from potential impact by surrounding obstacles during Power Wrench operation. A hand guard set contains one guard for each hand.



## Retention adaptor

The retention adaptor pins fixate the Power Wrench head to the drive plate, easing operation of valves in difficult orientations.



## Swivel connector

Connected between the hose and your tool, the swivel connector keeps your hose in the ideal position when moving around.

# Experience

The Power Wrench portable actuator offers a smarter way to operate your manual valves. It is used globally by major end-users to improve the efficiency of their valve operations.

سابك  
SABIC



**BASF**  
The Chemical Company



S-OIL

ارامكو السعودية  
Saudi Aramco

bhpbilliton

جاسكو  
GASCO

**BOREALIS**  
Keep Discovering

**DOW**

**SBM**  
OFFSHORE

**ExxonMobil**

Smith Flow Control and Netherlocks Safety Systems have merged. We are Sofis, the leading valve operation specialists. With our combined expertise we offer smart integrated solutions to optimize valve operation. Our products help create a safer and more efficient working environment and are often regarded as the industry standard. We work closely with our customers and provide simple and reliable solutions.

We are smarter together.



#### Contact

For support:  
[support@sofisglobal.com](mailto:support@sofisglobal.com)  
For enquiries:  
[www.sofisglobal.com/contact](http://www.sofisglobal.com/contact)

#### Online

[www.sofisglobal.com](http://www.sofisglobal.com)  
YouTube: Sofis valve operation  
Facebook: @Sofisglobal  
Twitter: @Sofisglobal

#### Locations

Alphen aan den Rijn, Netherlands  
+31 172 471339  
Beijing, China  
+86 10 5879 7989  
Dubai, UAE  
+971 4359 1988  
Erlanger, USA  
+1 859 578 2395  
Houston, USA  
+1 281 547 7422  
Singapore  
+65 6395 8555

Stockstadt, Germany  
+49 6027 4051221  
Vadodara, India  
+91 265 234 1134  
Lynbrook, Victoria, Australia  
+61 3 9771 5370  
Witham, UK  
+44 1376 517901

Contact our nearest office for a distributor near you, or check [www.sofisglobal.com/contact](http://www.sofisglobal.com/contact).